

**DiamondAir 22.3 SEER2 12K BTU  
Ceiling Cassette Mini Split**

**Set Model**

Indoor unit model DF2012CI  
Outdoor unit model D2012SHO2

**Certified**



**SYSTEM PERFORMANCE DATA**

<b>Power supply</b>		
Normal Operational Voltage	(V, Ph, Hz)	208/230V, 1Ph, 60Hz
Voltage Range	(V)	187-253
<b>Electrical</b>		
Minimum circuit ampacity(Outdoor)	(A)	15.0
Max.fuse(Outdoor)	(A)	15.0
Connection wiring		14*4 AWG
<b>Cooling</b>		
Capacity	(Btu/h)	12000(3000~13700)
Power Input	(W)	945(162~1350)
Current	(A)	4.32(1.24~6.18)
SEER2	(Btu/W)	22.3
EER2	(Btu/W)	12.7
<b>Heating</b>		
Capacity	(Btu/h)	12000(2000~15300)
Power Input	(W)	1080(146~1350)
Current	(A)	4.99(1.15~5.88)
HSPF2-4	(Btu/W)	10.2
HSPF2-5	(Btu/W)	8.0
COP	W/W	3.26
Heat at 17F(H32)	(Btu/h)	9900
Heat at 5F(H42)	(Btu/h)	11300
COP at 5F(H42)	W/W	1.89

**REFRIGERANT PIPE DATA**

Throttle type	Indoor unit	N/A
	Outdoor unit	EXV
Design pressure	(PSIG)	550/340
Refrigerant Type		R410A
Refrigerant charge	oz	41.62
	(ft)	25.0
Refrigerant precharge	(m)	7.5
Additional charge for each ft	(oz/ft)	0.16
Additional charge for each m	(g/m)	15.0
Liquid side/ Gas side(indoor)	(inch)	1/4" / 1/2"
	(mm)	6.35/12.7
Liquid side/ Gas side(outdoor)	(inch)	1/4" / 1/2"
	(mm)	6.35/12.7
Max. pipe length	(ft)	82.0
	(m)	25.0
Max. difference in level	(ft)	32.8
	(m)	10.0
Connection method		Flared
Indoor(cooling)	(Deg. °F)	62~90
	(Deg. °C)	17~32
Indoor(heating)	(Deg. °F)	32~86
	(Deg. °C)	0~30
Outdoor(cooling)	(Deg. °F)	-22~122
	(Deg. °C)	-30~50
Outdoor(heating)	(Deg. °F)	-22~75
	(Deg. °C)	-30~24

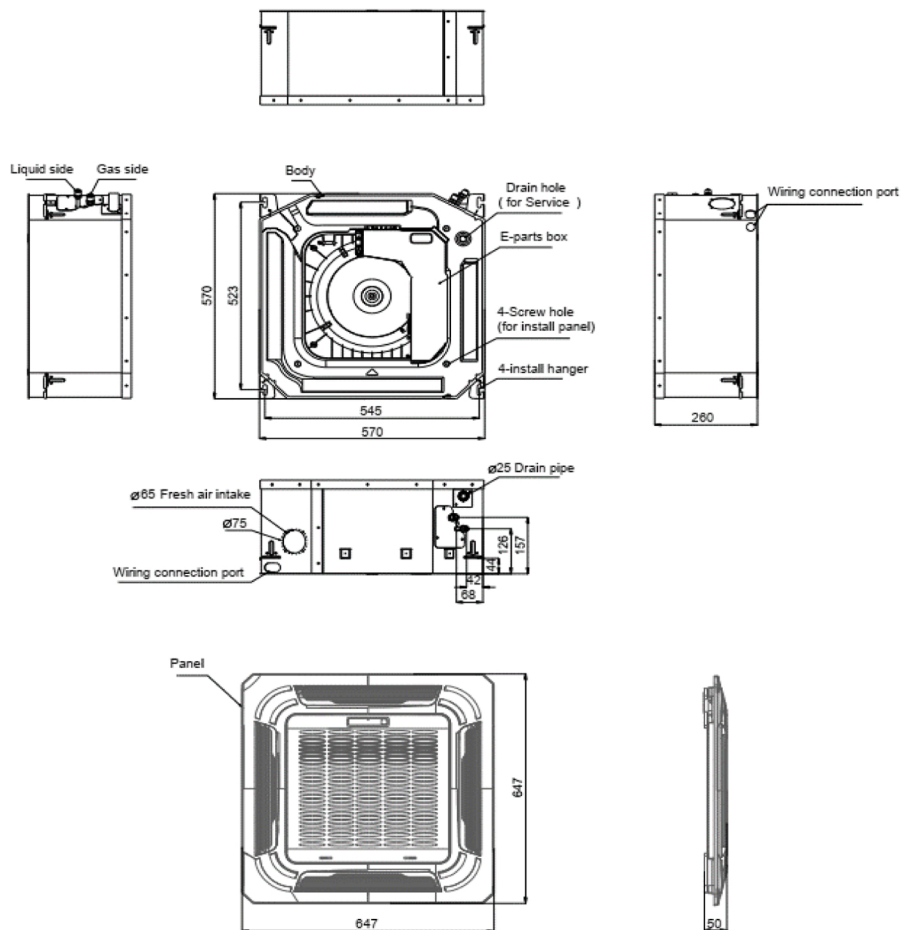
**INDOOR UNIT DATA**

<b>Indoor fan motor</b>		
Model		ZKFP-46-8-1
Qty		1
Input	(W)	45.00
Output	(W)	46.0
RLA	(A)	0.00
Speed(Hi/Mi/Lo)	(r/min)	/
<b>Air flow &amp; Noise level</b>		
Indoor air flow (Hi/Med/Lo) (No duct)	(CFM)	/335.29/282.35/241.18
Indoor noise level (Hi/Med/Lo)	[dB(A)]	40.5/35.5/31.5
<b>Dehumidification</b>		
	(L/H)	1.69
<b>Indoor unit</b>		
Dimension (WxDxH)	(inch)	22.44x22.44x10.24
	(mm)	570x570x260
Packing(WxDxH)	(inch)	26.06x26.06x12.48
	(mm)	662x662x317
Net/Gross weight	(lbs.)	35.27/41.01
	(kg)	16/18.6

**OUTDOOR UNIT DATA**

<b>Compressor</b>		
Type		ROTARY
Model		KTN110D42UFZ
Brand		GMCC
Capacity	(Btu/h)	11823
Input	(W)	885
Rated current (RLA)	(A)	8.8
Refrigerant oil/oil charge	(ml)	VG74/350
<b>Outdoor fan motor</b>		
Model		ZKFN-34-10-1
Qty		1
Input	(W)	/
Output	(W)	34.00
RLA	(A)	0.36
Speed	(r/min)	850/680/450
<b>Air flow &amp; Noise level</b>		
Outdoor air flow (Max.)	(CFM)	1323.5
Outdoor noise level	[dB(A)]	52.5
<b>Outdoor unit</b>		
Dimension (WxDxH)	(inch)	31.69x12.99x21.81
	(mm)	805x330x554
Packing (WxDxH)	(inch)	36.02x14.57x24.21
	(mm)	915x370x615
Net/ Gross weight	(lbs.)	73.63/79.37
	(kg)	33.4/36

Indoor unit dimension



Outdoor unit dimension

